

**FIXING INSTRUCTIONS FOR SIMMONDS  
WIND DEFLECTORS ON NEW STYLE  
WINDSCREEN BRACKETS**

FIRSTLY REMOVE THE FOAM STRIP FROM THE WINDSCREEN BRACKETS FROM THE BOTTOM UPWARDS TO REDUCE THE RISK OF TEARING IT.

MARK THE POSITIONS FOR THE HOLES AS PER THE DIAGRAM – SEE TEMPLATES (NEXT PAGE)

**A-**  $\varnothing$ 5MM THRO HOLES COUNTERSUNK ON OUTERSIDE OF BRACKET

**B1-** 8MM

**B2-** 8MM

**C-** 45MM FROM RECESS

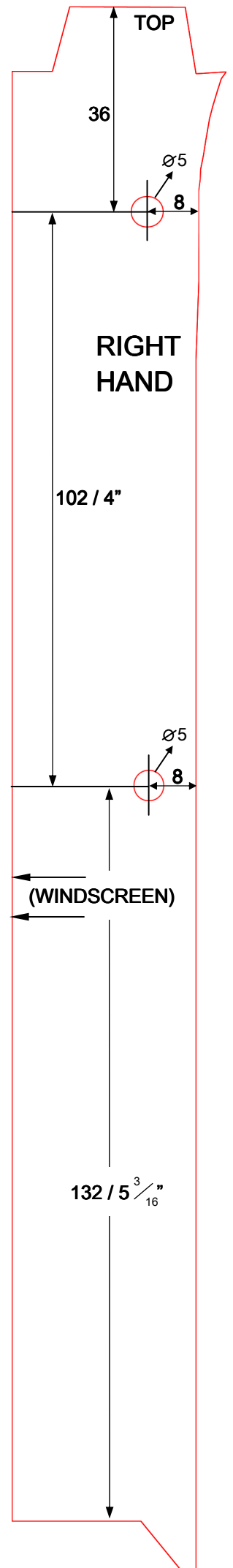
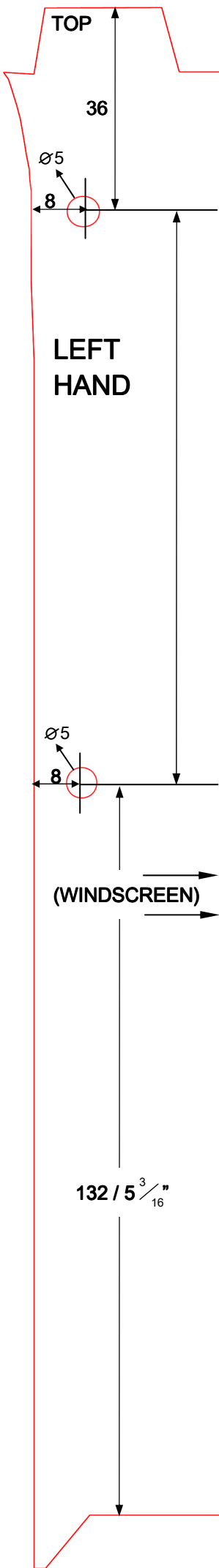
**D-** DIMENSION TO SUIT WIND DEFLECTOR BRACKETS

**E-** 36MM

WHEN YOU HAVE DRILLED THE HOLES, MOUNT THE WIND DEFLECTORS AND CHECK THAT THE HINGES WORK WITH NO INTERFERENCE. YOU MAY HAVE TO ENLARGE THE HOLES SLIGHTLY FOR THIS TO WORK.

**NOTE!! DO NOT FORCE THE DEFLECTOR IF THE HINGES INTERFERE WITH THE WINDSCREEN BRACKET**

WHEN YOU ARE SATISFIED WITH THE POSITION OF THE DEFLECTORS LOCKTIGHT THE SCREWS AND RE-FIT THE RUBBER STRIP.



Mount these paper templates to card, and then carefully cut the red lines of the templates...

All measurements are in millimetres unless stated (inches = ")